

# DALI to 0/1-10V Module

Model: KDA-C



Manual

# Product Introduction

- Converts DALI signals to 0/1-10V signals, enabling adjustable brightness and color temperature;
- Built-in relay allows complete shutdown of 0/1-10V lighting output devices for enhanced stability and reliability;
- NFC programming facilitates easy configuration of DALI dimming interface, DALI address, dimming ramp time, and other parameters with simplified operation;
- The 0/1-10V output signal can be easily configured via NFC into multiple output modes to meet single-channel dimming, dual-channel independent dimming, and dual-channel dual-color temperature combination requirements;
- Features an integrated design combining power supply and communication modules for easier installation.

# Technical Specs

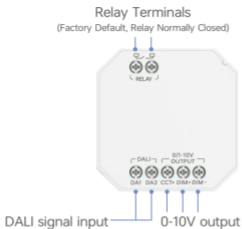
Model	KDA-C
Peak current	70mA@16V
Static current	5mA@16V
Power supply mode	DALI Bus power supply
Input signal	DALI-2
Output signal	0/1-10V×2CH, Max.15mA
Max. load current of the relay	5A
Max. load parameters of the relay	Resistive load: 800W@230Vac, 400W@110Vac, 200W@48Vdc Capacitive load: 300W@230Vac, 150W@110Vac, 100W@48Vdc
Switch maximum voltage	Max.250Vac, Max.48Vdc
Relay surge current	70A@10ms
Working temperature	-25°C~50°C
Product size	L45×W45.5×H20.5(mm)
Product weight	30g
Standards	EN 61347-2-13:2014+A1:2017, EN 61347-1:2015+A1:2021, EN 62493:2015/A1:2022, IEC62386-101, IEC62386-102, IEC62386-206



RoHS

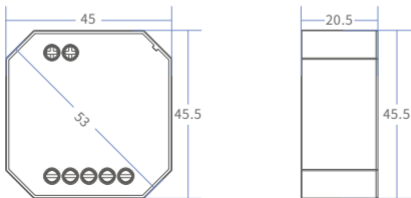


# Product Images



# Product Size

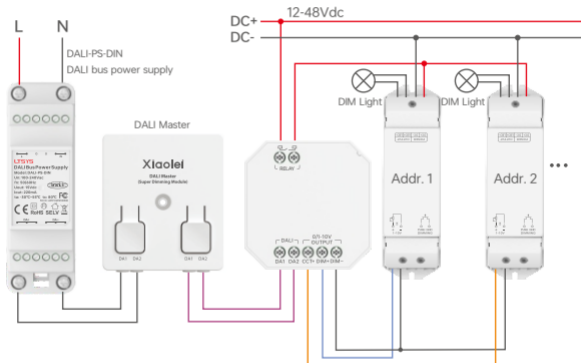
Unit: mm





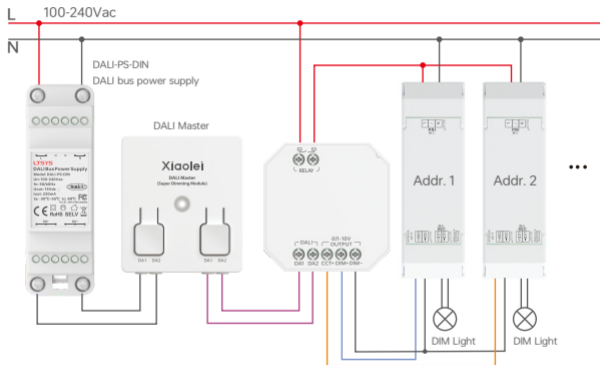


3. Simultaneously connect the relay and 0/1-10V output to achieve switch control of 0/1-10V dimmable loads powered by 12-48Vdc (dual-address dual-channel dimming mode).



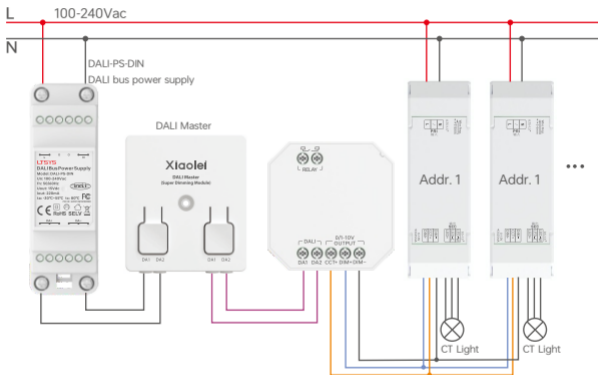
\*If the load exceeds the maximum power rating or the inrush current exceeds 70A, the relay can be connected to a higher-power contactor for switching control. Refer to P11 for wiring applications.

4. Simultaneously connect the relay and 0/1-10V output to achieve switch control of 0/1-10V dimmable loads powered by 100-240Vac (dual-address dual-channel dimming mode).

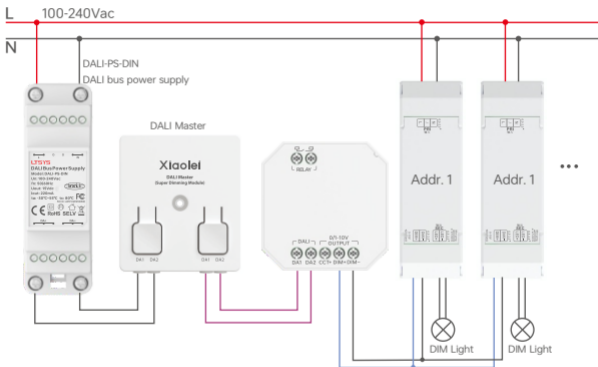


\*If the load exceeds the maximum power rating or the inrush current exceeds 70A, the relay can be connected to a higher-power contactor for switching control. Refer to P11 for wiring applications.

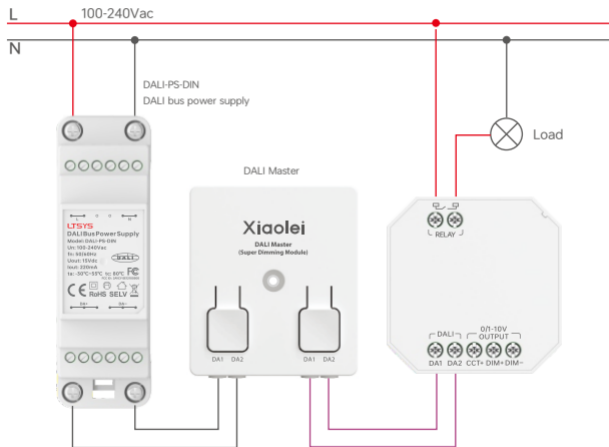
5. Connect the 0/1-10V output to enable switch control of 0/1-10V color temperature loads powered by 100-240Vac (single-address dual-channel color temperature mode).



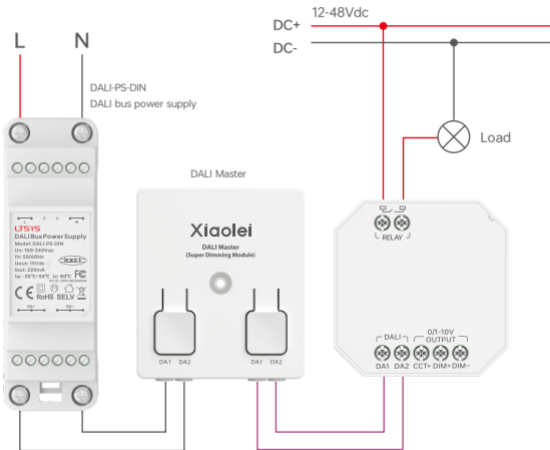
6. Connect the 0/1-10V output to enable switch control of 0/1-10V dimmable loads powered by 100-240Vac (single-address, single-channel dimming mode).



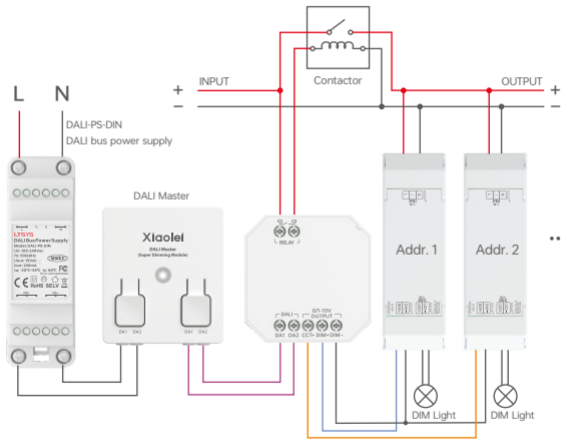
7. Connect the relay output to control the switching of loads powered by 100-240Vac.



8. Connect the relay output to control the switching of loads powered by 12-48Vdc.



## 9. External Contactor Connection Method.



# Use the NFC Setup APP

Scan the QR code below with your mobile phone and install the APP as prompted.

(Due to performance requirements, the required phone model is Apple: iPhone8 or above, and the operating system iOS13 or above; Android: NFC enabled models).



Scan code download APP  
IOS/Android

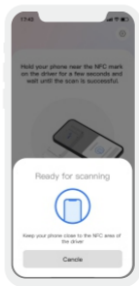


NFC identifier of the device

**When setting device parameters,  
Perform this operation only when  
the device is powered off.**

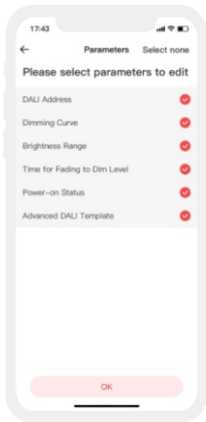
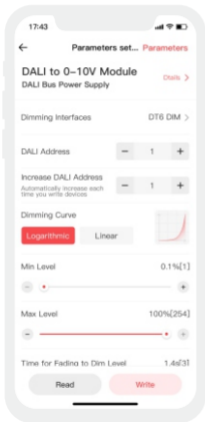
## 1. Read the device

Click "Start Scan" in the APP [home page], place the sensing area of the phone near the NFC identification point of the driver, and read the device parameters.



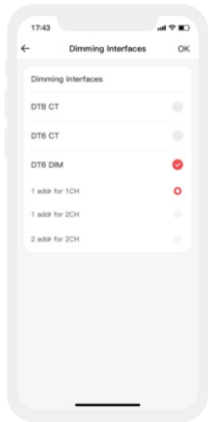
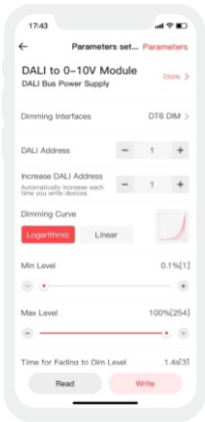
## 2. Edit parameters

Click "Parameters" to edit parameters such as DALI address, Dimming Curve, and Advanced DALI Template settings.



### 3. Dimming interface Settings

Click the "Dimming Interfaces" to configure various settings including DT8 CT, DT6 CT, and DT6 DIM.



# Attention

- Product installation and commissioning should be done by a qualified professional.
  - Our company products are and not lightningproof non-waterproof(special models excepted). Please avoid the sun and rain. When installed outdoors, please ensure they are mounted in a waterproof enclosure or in an area equipped with lightning protection devices.
  - Good heat dissipation will prolong the working life of products. Please ensure good ventilation.
  - Please check if the working voltage used complies with the parameter requirements of products.
  - The diameter of wire used must be able to load the light fixtures you connect and ensure the firm wiring.
  - Before you power on products, please make sure all the wiring is correct in case of incorrect connection that causes damage to light fixtures.
  - If a fault occurs, please do not attempt to fix products by yourself. If you have any question, please contact your suppliers.
- \* This manual is subject to changes without further notice. Product functions depend on the goods. Please feel free to contact our official distributors if you have any question.

# Warranty Agreement

- Warranty periods from the date of delivery: 5 years.
- Free repair or replacement services for quality problems are provided within warranty periods.

Warranty exclusions below:

Following conditions are not within the guarantee range of free repairing or replacement services:

- Beyond warranty periods.
- Any artificial damage caused by high voltage, overload, or improper operations.
- Products with severe physical damage.
- Damage caused by natural disasters and force majeure.
- Warranty labels and barcodes have been damaged.
- No any contract signed by our company.

1. Repair or replacement provided is the only remedy for customers. Our company is not liable for any incidental or consequential damage unless it is within the law.
2. Our company has the right to amend or adjust the terms of this warranty, and release in written form shall prevail.

# DALI-0/1-10V模块

型号: KDA-C



使用说明书

# 产品介绍

- DALI信号转换0/1-10V信号，可调节亮度和色温；
- 内置继电器，可完全关闭0/1-10V灯具输出设备，更稳定可靠；
- 通过NFC编程可轻松设置DALI调光接口，DALI地址和调光渐变时间等参数，操作简单；
- 0/1-10V输出信号可通过NFC轻松配置成多种输出模式，满足单通道调光、双通道独立调光及双通道双色温组合需求；
- 采用一体化设计，集成供电与通信模块，施工更方便。

# 技术参数

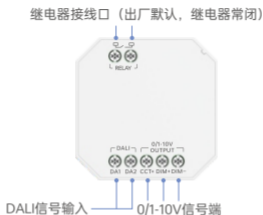
产品型号	KDA-C
峰值电流	70mA@16V
静态电流	5mA@16V
供电方式	DALI总线电源供电
输入信号	DALI-2
输出信号	0/1-10V×2CH, Max.15mA
继电器最大负载电流	5A
继电器最大负载参数	阻性负载: 800W@230Vac, 400W@110Vac, 200W@48Vdc 容性负载: 300W@230Vac, 150W@110Vac, 100W@48Vdc
最大开关电压	Max.250Vac, Max.48Vdc
继电器抗浪涌电流	70A@10ms
工作温度	-25°C~50°C
产品尺寸	L45×W45.5×H20.5(mm)
产品重量	30g
执行标准	EN 61347-2-13:2014+A1:2017、EN 61347-1:2015+A1:2021、 EN 62493:2015/A1:2022、IEC62386-101、IEC62386-102、IEC62386-206



RoHS

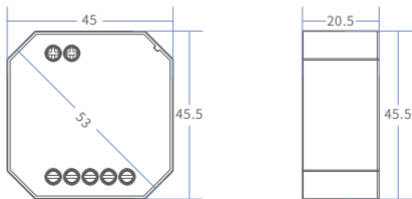


# 产品图示



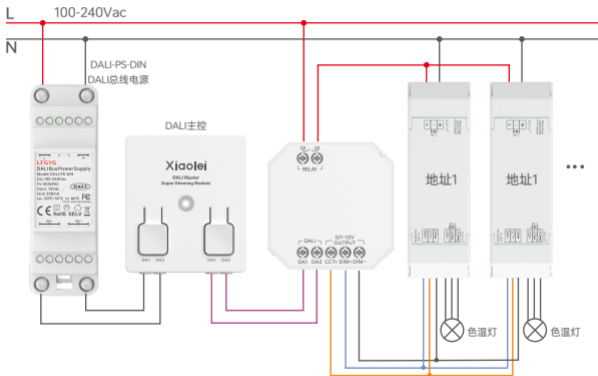
# 产品尺寸

单位：mm



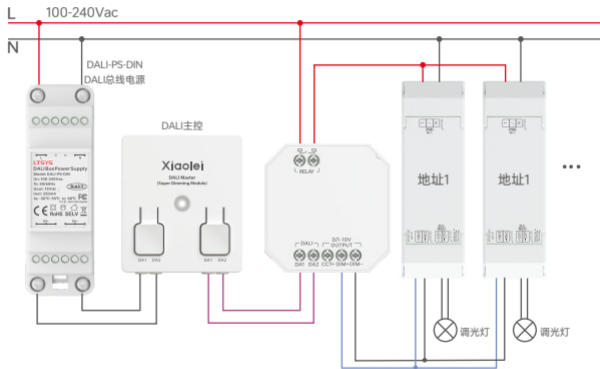
## 接线应用

1.同时连接继电器和0/1-10V输出，实现对100-240Vac供电的0/1-10V色温负载的开关控制(色温单地址双通道方式)



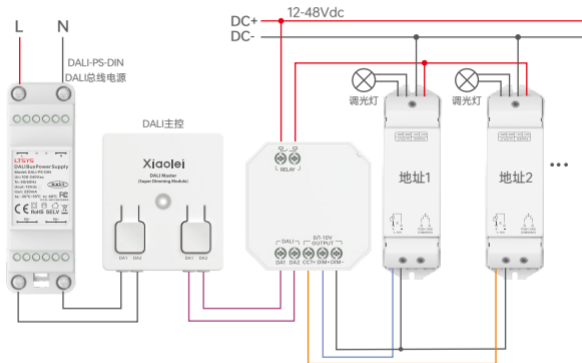
**\*若负载超过最大功率值或浪涌电流>70A，继电器可以外接更大功率的接触器进行开关控制。  
接线应用见P11。**

## 2.同时连接继电器和0/1-10V输出，实现对100-240Vac供电的0/1-10V调光负载的开关控制(调光单地址单通道方式)



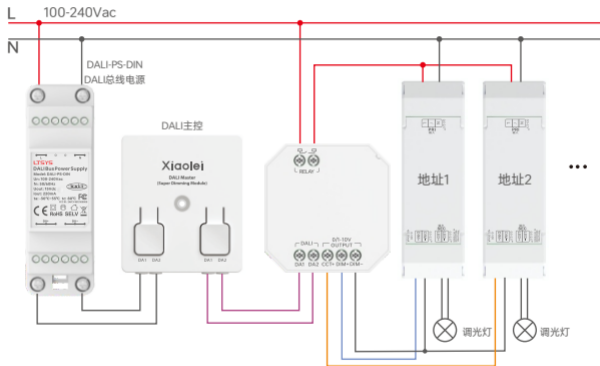
**\*若负载超过最大功率值或浪涌电流>70A，继电器可以外接更大功率的接触器进行开关控制。接线应用见P11。**

### 3.同时连接继电器和0/1-10V输出, 实现对12-48Vdc供电的0/1-10V调光负载的开关控制(调光两地址双通道方式)



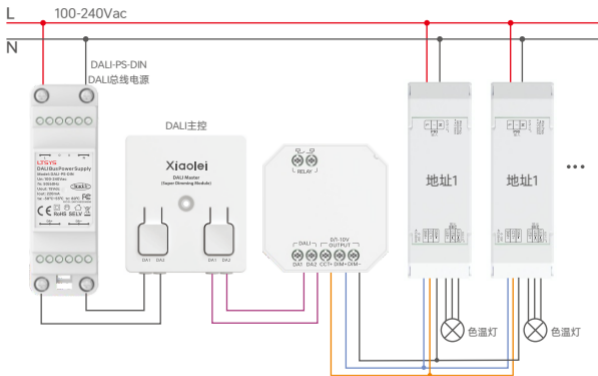
**\*若负载超过最大功率值或浪涌电流>70A, 继电器可以外接更大功率的接触器进行开关控制。接线应用见P11。**

#### 4.同时连接继电器和0/1-10V输出，实现对100-240Vac供电的0/1-10V调光负载的开关控制(调光两地址双通道方式)

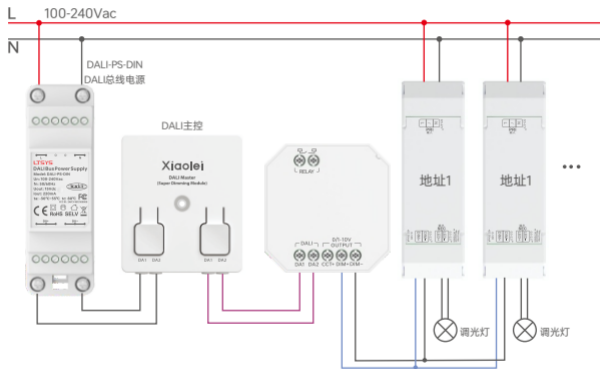


**\*若负载超过最大功率值或浪涌电流>70A，继电器可以外接更大功率的接触器进行开关控制。接线应用见P11。**

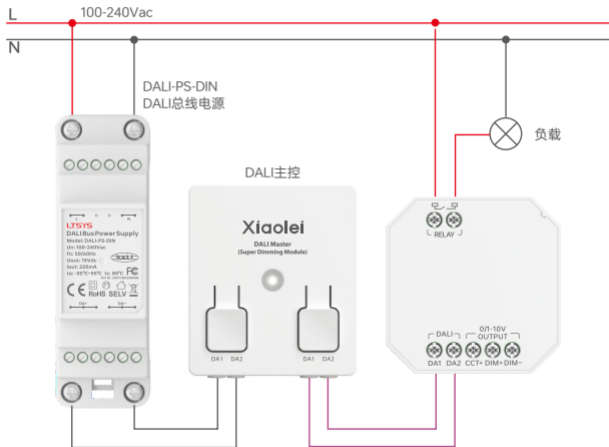
## 5.连接0/1-10V输出，实现对100-240Vac供电的0/1-10V色温负载的开关控制(色温单地址双通道方式)



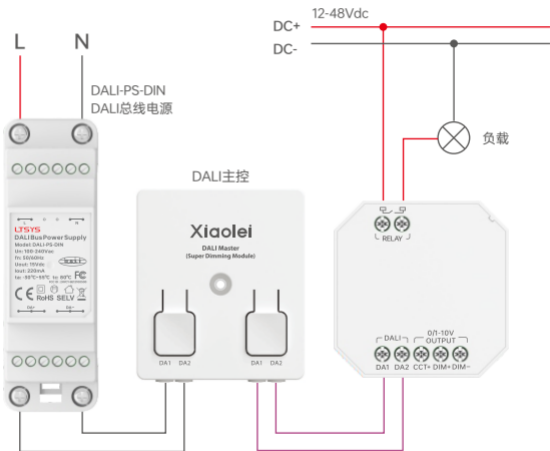
## 6. 连接0/1-10V输出，实现对100-240Vac供电的0/1-10V调光负载的开关控制(调光单地址单通道方式)



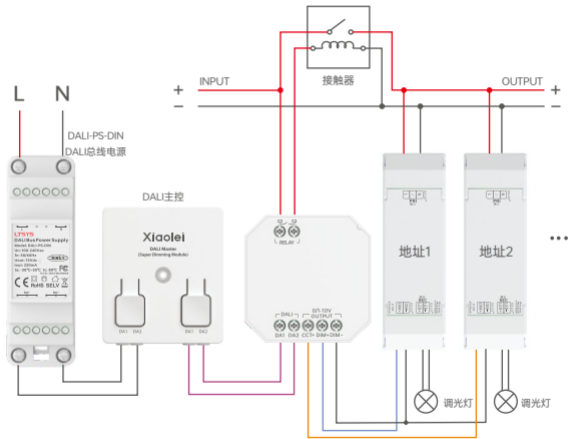
## 7.连接继电器输出，实现对100-240Vac供电的负载开关控制



## 8.连接继电器输出，实现对12-48Vdc供电的负载开关控制



## 9.外置接触器连接方式



# 搭配NFC Setup APP使用

通过手机扫描下方二维码，按提示完成APP安装。(因性能需求，要求手机型号苹果：iPhone8及以上、且操作系统iOS13及以上；安卓：具备NFC功能机型)



扫码下载APP  
IOS/Android



设备NFC感应区

\*设置设备参数时，  
必须在设备断电情况下进行操作。

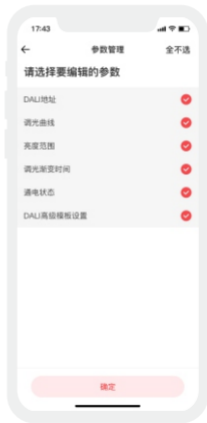
## 1. 读取设备

在APP【首页】点击“开始扫描”将手机感应区域靠近驱动器NFC感应区，读取设备参数。



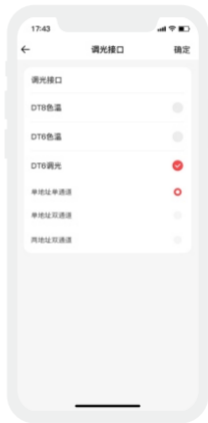
## 2. 编辑参数

点击“参数管理”可选择编辑DALI地址、调光接口及DALI高级模板设置等参数。



### 3. 调光接口设置

点击“调光接口”，可设置DT8色温、DT6色温、DT6调光等多种方式。



## 注意事项

- 请由具有专业资格的人员进行调试安装；
- 我司产品（专有型号除外）不能防水防雷，需避免日晒雨淋，如安装在户外，请用防水箱和防雷装置；
- 良好的散热条件会延长产品的使用寿命，请把产品安装在通风良好的环境；
- 请检查使用的工作电压是否符合产品的参数要求；
- 使用的电线直径大小必须能够负载连接的 LED 灯具，并确保接线牢固；
- 通电调试前，应确保所有接线正确，避免因接线错误而导致灯具损坏；
- 如果发生故障，请勿私自维修；如果有疑问，请联系供应商。

\* 本说明书的内容如有变更，恕不另行通知。若内容与您使用的功能有所不同，则以实物为准。  
如有疑问，欢迎向我司授权的经销商咨询。

# 保修条例

- 自出厂之日起保修服务期为5年。
- 在保修服务期内出现产品质量问题我司将给予免费修理或更换服务。

非保修条例：

属下列情况不在免费保修或更换服务范围之内：

- 已经超出保修期限的；
- 过高电压、超负载、操作不当等人为造成的损坏；
- 产品外形严重损坏或变形；
- 自然灾害以及人力不可抗拒原因造成的损坏；
- 产品保修标签和产品唯一条形码损坏；
- 无我司签订的合同或发票凭证。

1. 修理或更换是我司对客户唯一补救措施。我司不承担任何附带引起的损害赔偿，除非在适用法律范围之内。
2. 我司享有修正或调整本保修条款的权利，并以书面形式发布为准。