

## LED Dimmer Remote Control

- Featuring a streamlined design with magnetic attachment, it is powered by two AAA batteries and offers an unobstructed remote control range of up to 35 meters;
- Features 2.4 GHz RF wireless transmission with stable signals and strong anti-interference capabilities, supporting multi-zone synchronized dimming;
- Compatible with P-series and F-series controllers;
- Supports zone control with two options: 4-zone and 8-zone configurations;
- Equipped with a dedicated on/off button for one-touch lighting control;
- Adjust brightness by touching the color ring and brightness levels;
- Comes with 4 preset scene modes that can be quickly accessed; you can also save custom scenes by holding down the button;
- A single remote control can be used with multiple controllers of controllers, and a single controller can be paired with up to 10 remote controls;
- Supports synchronized dimming across controller groups.



**C1F**

**C1E**

## Technical Specifications

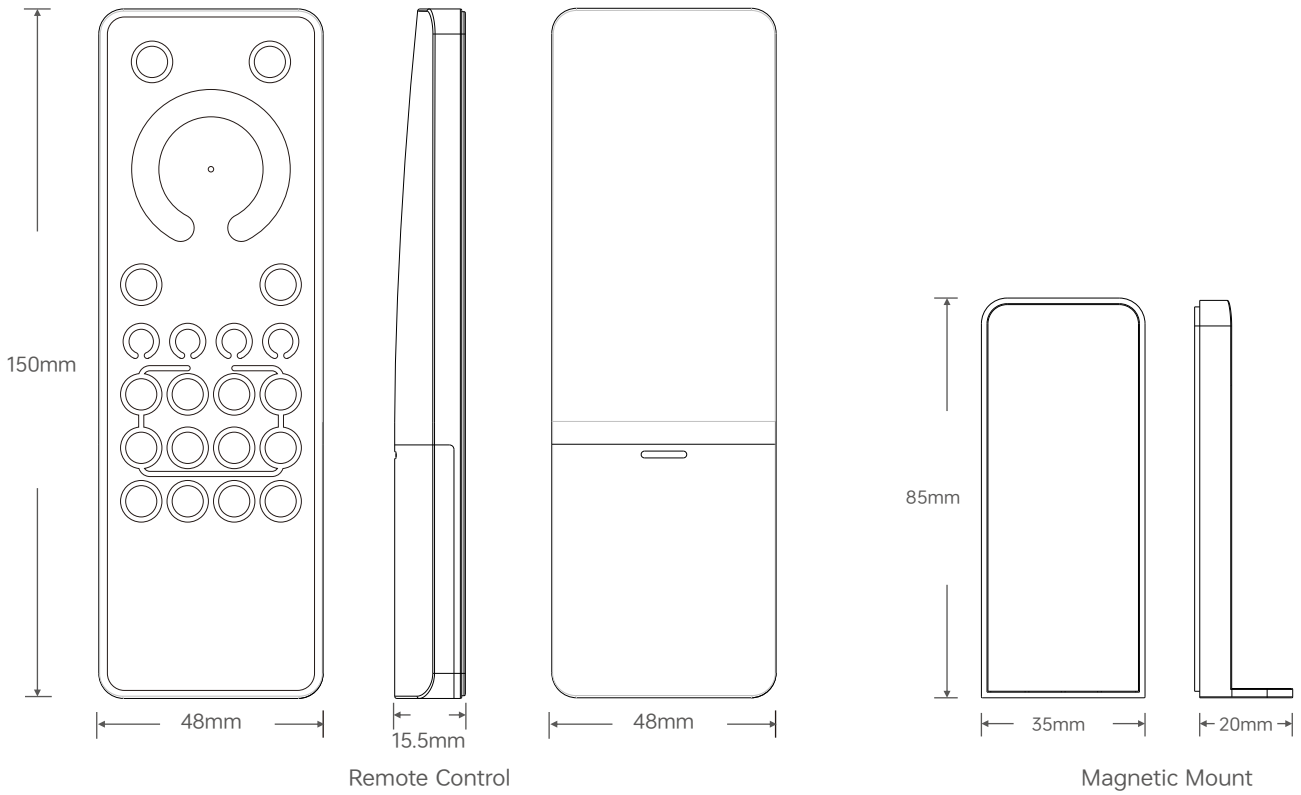
Model	C1F	C1E
Area Control	Zone 4	Zone 8
Dimming Type	DIM	
Wireless Type	RF 2.4GHz	
Power Supply	3Vdc (AAA battery×2) Note: Batteries are sold separately.	
Standby Current	< 5uA	
Remote Control range	≤35m (When accessible)	
Compatible Controllers	P1 / P2 / P3 / P4 / P5、 F4-3A / F4-5A / F4-DMX-5A / F5-DMX-4A	
Operating Temperature	-25°C~50°C	
Product Weight	Remote control: 62 g; Mount: 12 g	
Dimensions	Remote control: L150 × W48 × H15.5 mm; Mount: L85 × W35 × H20 mm	



RoHS

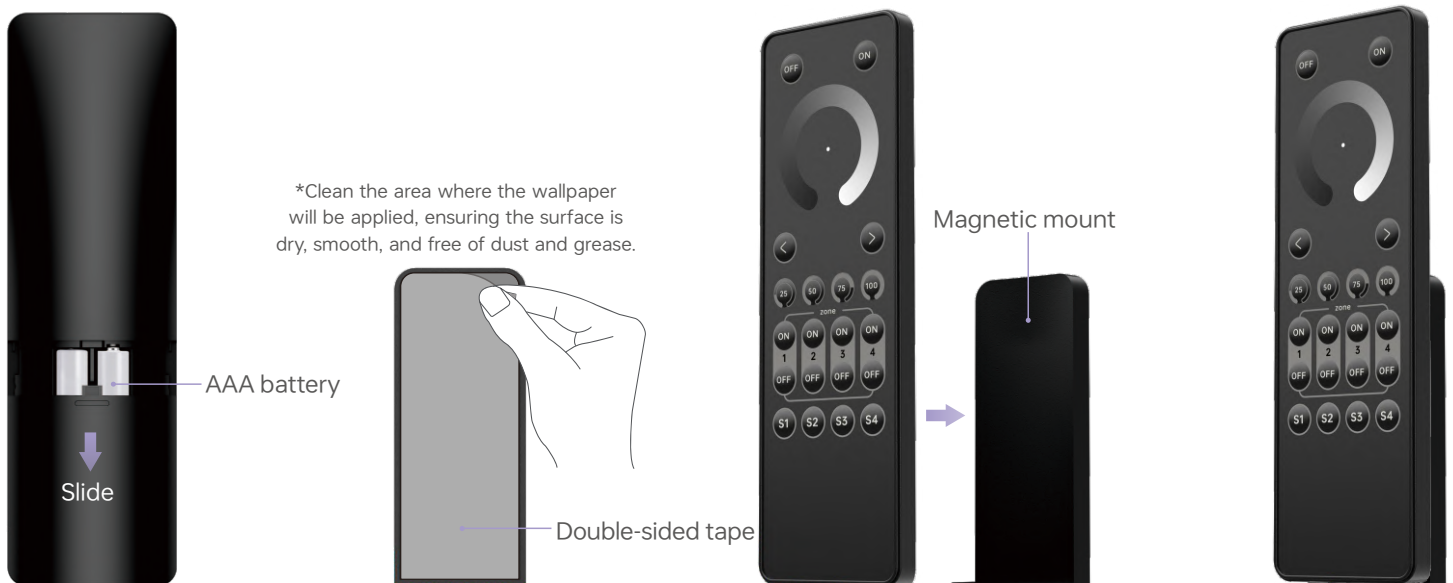


## Dimensions

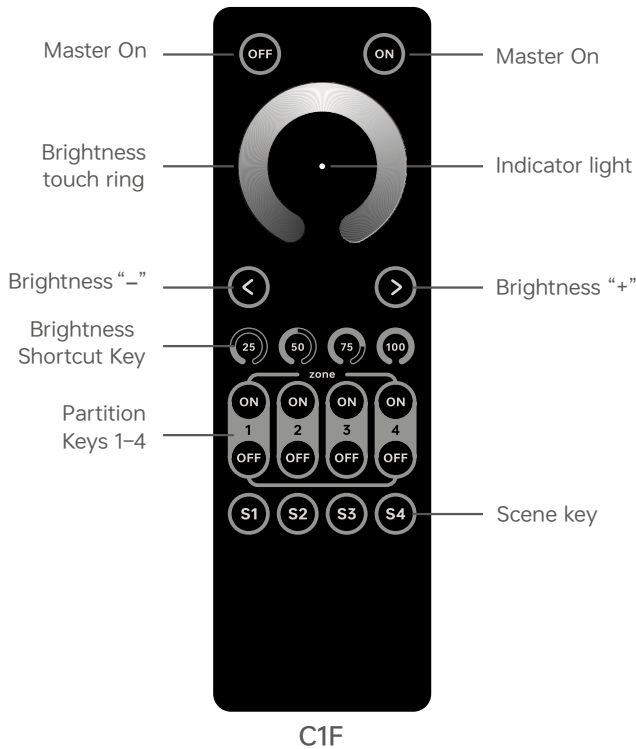


## Product Installation

- ① Open the battery compartment on the remote control and insert two AAA batteries, making sure to insert them with the correct polarity.
- ② Peel off the protective film from the included double-sided tape, attach the magnetic mount to the wall, and press firmly to secure it (let it sit for 24 hours to ensure a secure bond before placing the remote control on it to prevent it from falling off).
- ③ Attach the remote control to the magnetic mount to complete the installation.



## Button Functions



### 4-zone remote control

**ON Button:** Press briefly to turn all lights on; press and hold for 2 seconds to enter pairing mode.  
**OFF Button:** Press briefly to turn all lights off.  
**Brightness Touch Ring:** Touch to adjust the brightness of the current zone's lights.  
**Brightness +/-:** Adjust brightness up or down; press briefly for 11-step adjustment; press and hold for 1-6 seconds for continuous 255-step adjustment.  
**Brightness Shortcut Keys:** Press briefly or hold to select one of four brightness levels: "25%," "50%," "75%," or "100%."  
**Scene Key:** Press briefly to call up a scene; hold for 2 seconds to save the current lighting state to a scene.

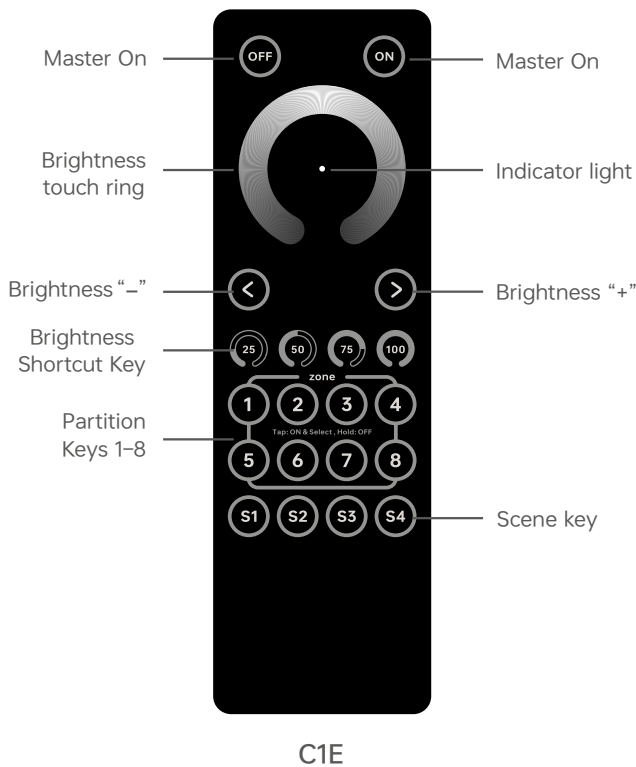
### 4-way directional pad:

- short press the Zone ON button to turn on the lights in the current zone; short press the Zone OFF button to turn off the lights in the current zone.
- Quickly press the ON buttons for multiple zones in succession (pressing two buttons within 3 seconds) to select multiple zones for simultaneous control.
- After the remote control enters sleep mode, it retains the channel selection from before it went to sleep.

### Indicator lights:

- When saving a scene, the remote control indicator flashes white twice;
- If no buttons are pressed for 6 seconds, the remote control will enter sleep mode. Press any button to wake it up;
- When adjusting the brightness, the indicator light changes in sync with the brightness.

Note: If the indicator light on the remote control does not light up when you press a button, the batteries may be dead. Please replace them promptly.



### 8-zone remote control

**ON Button:** Press briefly to turn all lights on; press and hold for 2 seconds to enter pairing mode.  
**OFF Button:** Press briefly to turn all lights off.  
**Brightness Touch Ring:** Touch to adjust the brightness of the current zone's lights.  
**Brightness +/-:** Adjust brightness up or down; press briefly for 11-step adjustment; press and hold for 1-6 seconds for continuous 255-step adjustment.  
**Brightness Shortcut Keys:** Press briefly or hold to select one of four brightness levels: "25%," "50%," "75%," or "100%."  
**Scene Key:** Press briefly to call up a scene; hold for 2 seconds to save the current lighting state to a scene.

### 8-way directional pad:

- Press the zone button briefly to turn on the lights in the current zone; press and hold the zone button to turn off the lights in the current zone.
- Quickly press multiple zone buttons in succession (pressing two buttons within 3 seconds) to select multiple zones for simultaneous control.
- After the remote control enters sleep mode, it retains the channel selection from before it went to sleep.

### Indicator lights:

- When saving a scene, the remote control indicator flashes white twice;
- If no buttons are pressed for 6 seconds, the remote control will enter sleep mode. Press any button to wake it up;
- When adjusting the brightness, the indicator light changes in sync with the brightness (other operations set the brightness to maximum).

Note: If the indicator light on the remote control does not light up when you press a button, the batteries may be dead. Please replace them promptly.

# Wiring Diagram for a 4-Zone Remote Control

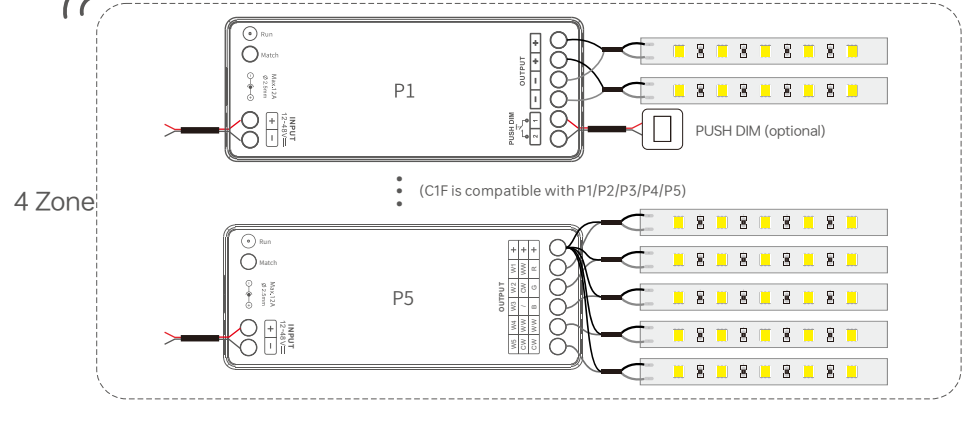
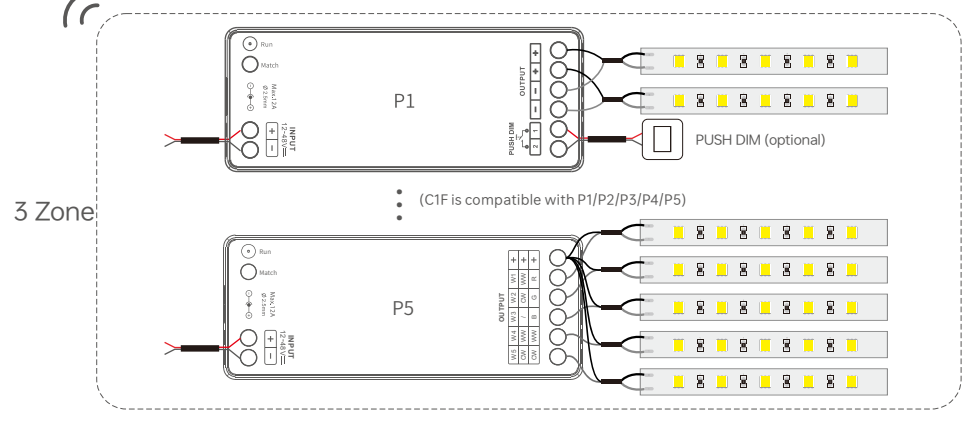
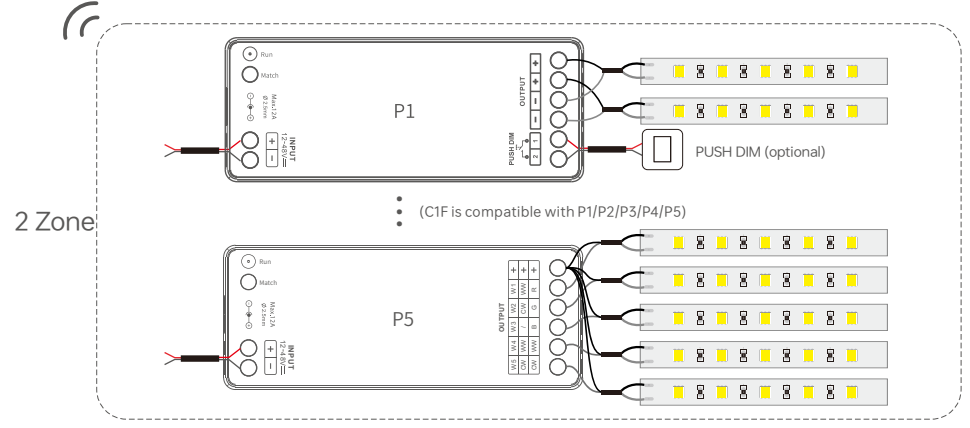
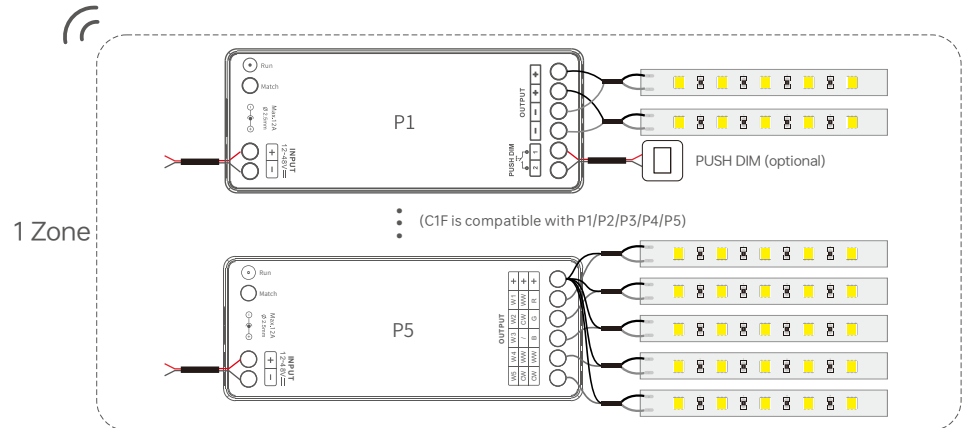


C1F

⋮



C1F



\*Compatible with up to 10 remote controls

# Wiring Diagram for a 4-Zone Remote Control

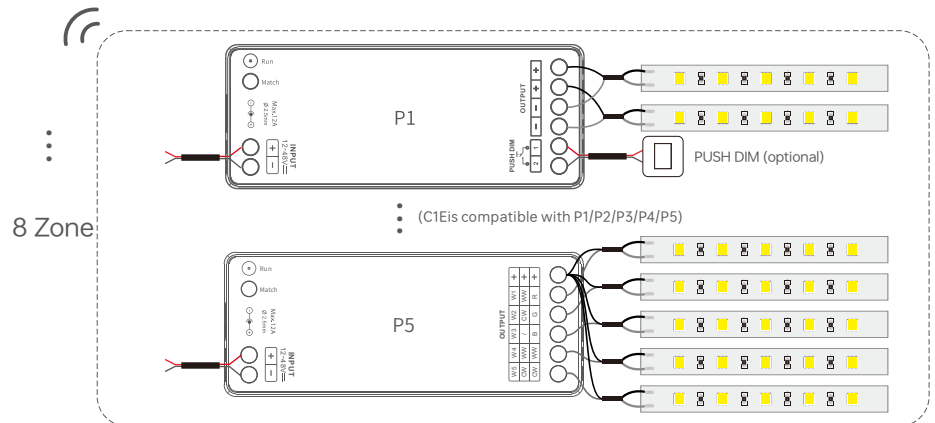
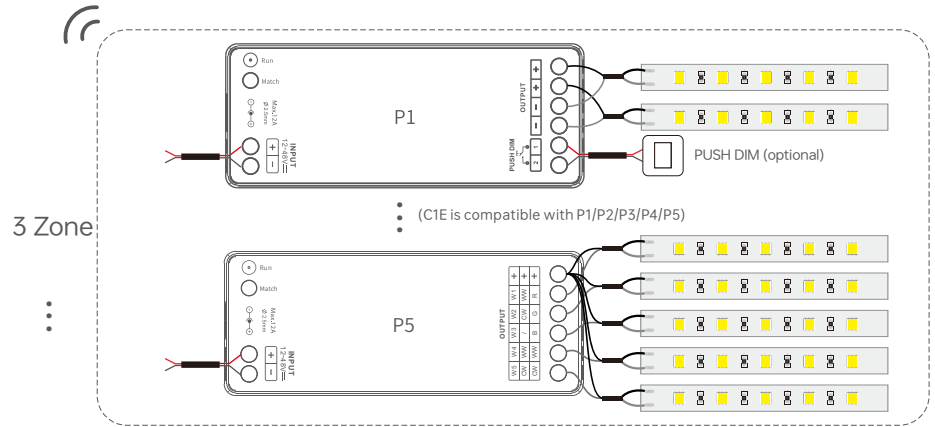
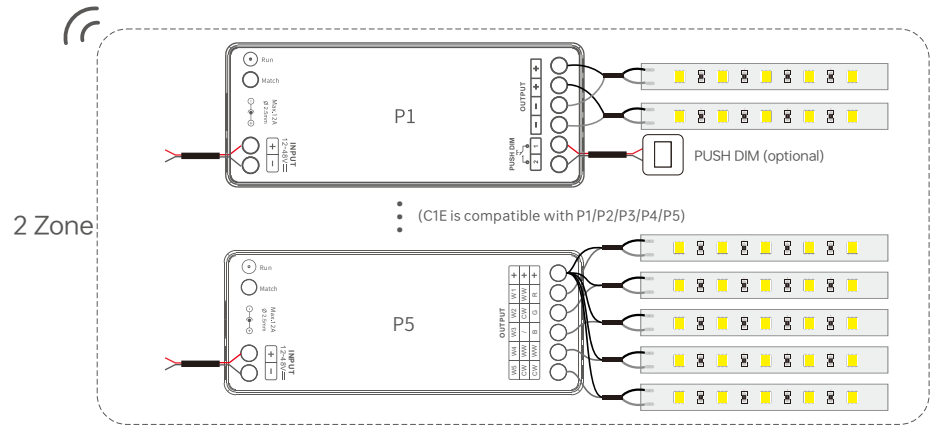
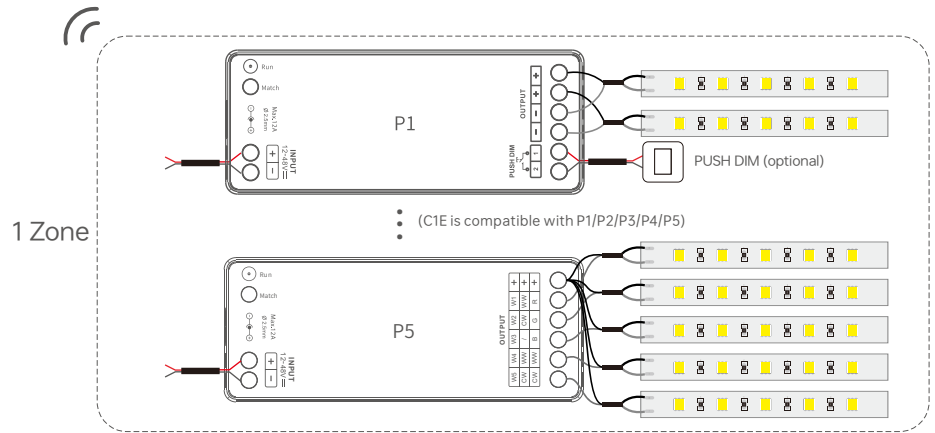


C1E

⋮



C1E



\*Compatible with up to 10 remote controls

## For use with P-series controllers

### Key pairing code

1. Short press the ID learning button on the controller. The load indicator will flash. Please complete the following steps within 10 seconds.

2. Pairing the remote control:

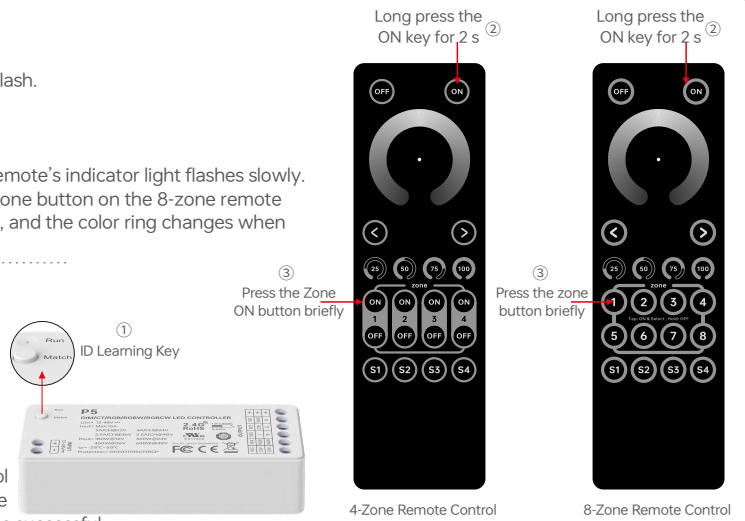
Press and hold the ON button on the remote control for 2 seconds until the remote's indicator light flashes slowly. Then, briefly press the zone ON button on the 4-zone remote control or the zone button on the 8-zone remote control until the controller's load indicator flashes rapidly and then remains lit, and the color ring changes when touched. This indicates that the learning process was successful.

### Power-on code pairing

1. After the controller has been powered off and then powered back on, please complete the following steps within 10 seconds.

2. Pairing the remote control:

Press and hold the ON button on the remote control for 2 seconds until the remote's indicator light flashes slowly. Then, short press the zone ON button on the 4-zone remote control or the zone button on the 8-zone remote control until the controller's load indicator flashes rapidly and then remains lit, and the color ring changes when touched. This indicates that the learning process was successful.

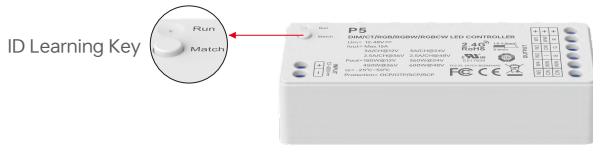


Note: A single controller can pair with up to 10pcs remote controls. If more than 10pcs remote controls are paired, the ID code of the first remote control will be automatically deleted.

### Clear Code

To delete all remote controls:

Press and hold the controller ID learning button for 6 seconds. The controller load light will flash 4 times quickly and then stay on, indicating successful code clearing.



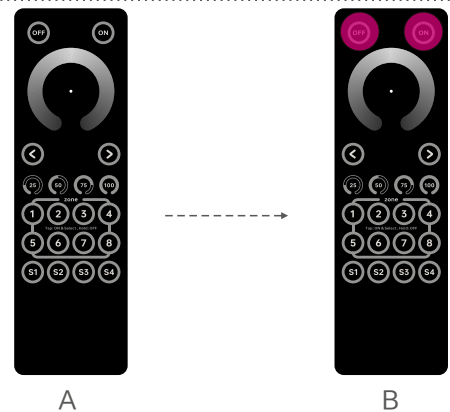
## Use the Remote Controls Together

### Code Pairing (assuming B learns from A)

1. Simultaneously press and hold the ON and OFF buttons at the top of Remote B until the indicator light stays on, then release them.
2. Within 5 seconds, press any button on Remote A; the indicator light on Remote B will turn off, indicating that programming was successful.

\*Assuming Remote Control A has already been paired with the controller, if you program Remote Control B to mimic Remote Control A, Remote Control B can be used to control the system directly without needing to be paired with the controller;

\*Only remotes of the same model can be programmed to mimic each other.



### Clear Code

Press and hold the S1 and S4 buttons on the B remote control simultaneously for about 10 seconds; when the indicator light flashes three times, the programmed remote control code will be cleared.



## Transportation and Storage

### 1. Transportation

Products can be shipped via vehicles, boats and planes.

During transportation, products should be protected from rain and sun. Please avoid severe shock and vibration during the loading and unloading process.

### 2. Storage

The storage conditions should comply with the Class I Environmental Standards. The products that have been stored for more than six months are recommended to be re-inspected and can be used only after they have been qualified.

## Attentions

- Please use in a dry indoor environment;
  - When installing the battery, please connect the positive and negative terminal correctly. If the remote will not be used for a long period, take the battery out;
  - When the remote distance is shorten and or the remote doesn't work frequently, please change the battery in time;
  - Please carefully take it and put it down to prevent falls that cause damage;
  - If a fault occurs, please do not attempt to fix products by yourself. If you have any question, please contact your suppliers.
- \* This manual is subject to changes without further notice. Product functions depend on the goods. Please feel free to contact our official distributors if you have any question.

## Warranty Agreement

- Warranty periods from the date of delivery: 5 years.
- Free repair or replacement services for quality problems are provided within warranty periods.

Warranty exclusions below:

Following conditions are not within the guarantee range of free repairing or replacementservices:

- Beyond warranty periods;
- Any artificial damage caused by high voltage, overload, or improper operations;
- Products with severe physical damage;
- Damage caused by natural disasters and force majeure;
- Warranty labels and barcodes have been damaged.
- No any contract signed by our company.

1. Repair or replacement provided is the only remedy for customers. Our company is not liable for any incidental or consequential damage unless it is within the law.

2. Our company has the right to amend or adjust the terms of this warranty, and release in written form shall prevail.

## Update Log

Version	Updated Time	Update Conten	Updated by
A0	20260411	Original version	Haipeng Li