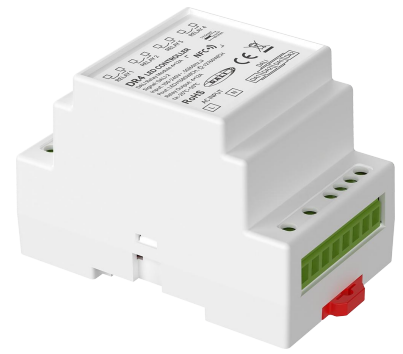


LED Controller DR4

DALI-2

- DALI Relay Module with Zero-Cross Detection, DALI relay module with zero-cross detection, effectively suppressing the instantaneous surge current when the relay pulls in.
- Compliant with DALI-2 standard, in accordance with IEC62386-101, IEC62386-102 and IEC62386-208 standard protocols.
- Capable of independently controlling four relays or contactors, compatible with mainstream DALI standard protocols and master control devices on the market, enabling non-dimmable luminaires to access the DALI lighting system.
- DALI addresses can be set independently, and grouping and scene control can be realized via DALI master controller. Supports setting of DALI first address, power-on status, system failure status and DALI scenes via the NFC Lighting APP.
- Single channel supports a maximum current of 12A, with a built-in independent fuse for each channel to ensure safe operation of the device.
- Wide voltage power supply: 100-240V~.
- DIN rail mounting, compatible with standard 35mm DIN rail.

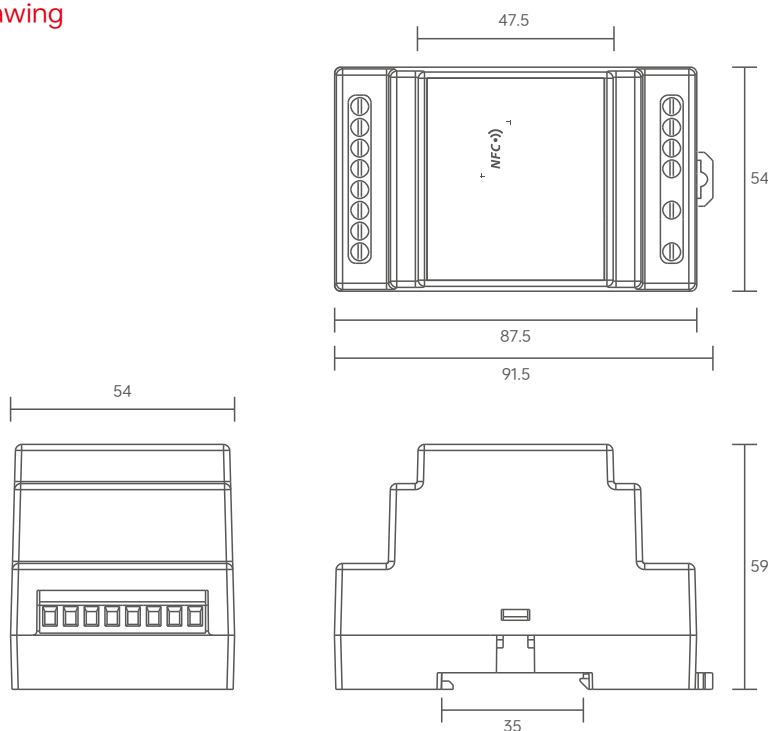


Technical Specs

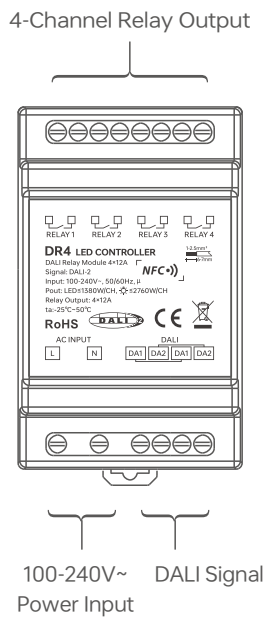
Model	DR4
Input Signal	DALI-2
Input Voltage	100-240V~, 50/60Hz, μ
Number of channels	4
Maximum Load Current of Relay	12A/CH
Maximum Relay Load Parameters	Resistive load: 2760W@230V~/CH, 1320W@110V~/CH Capacitive load: 1380W@230V~/CH, 660W@110V~/CH
Maximum Switching Voltage	250V~
Inrush Current in Loads	70A@10ms
Protection	Zero-crossing & Over-current Protection
Working Temperature	-25°C ~ 50°C
Product Dimensions	L91.5×W54×H59(mm)
Package Dimensions	L94×W55×H60(mm)
Net Weight	46g

Dimension Drawing

Unit: mm

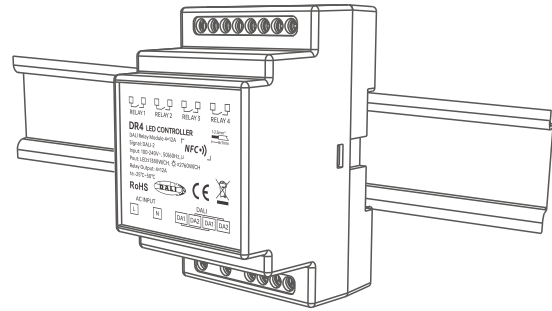


Terminal Description

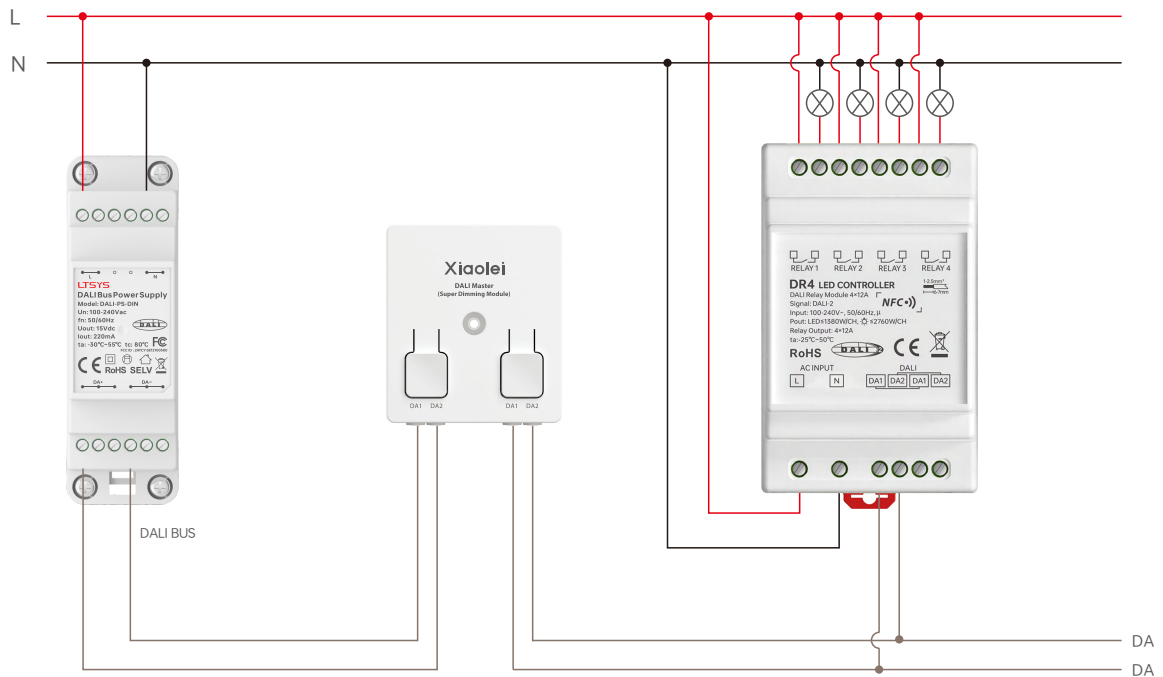


Installation Method

Rail mounting (rail specifications: TS-35/7.5 or TS-35/15)



Connection Diagram



Use the NFC Lighting APP

Scan the QR code below with your mobile phone and follow the prompts to complete the APP installation (According to performance requirements, you need to use a NFC-capable Android phone, or an iPhone 8 and later that are compatible with iOS 13 or higher).



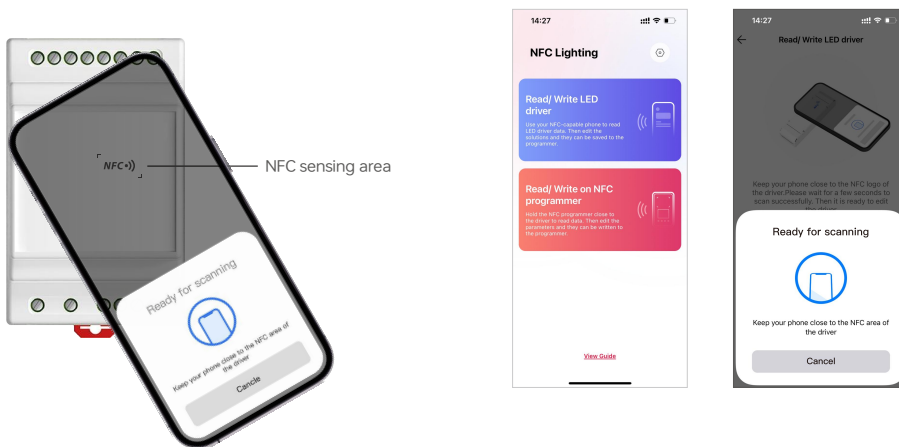
* Before you begin setting the parameters of the driver, please make sure the driver is powered off .

Read/Write the LED driver

Use your NFC-capable phone to read LED driver data, then edit the parameters and they can be directly written to the driver.

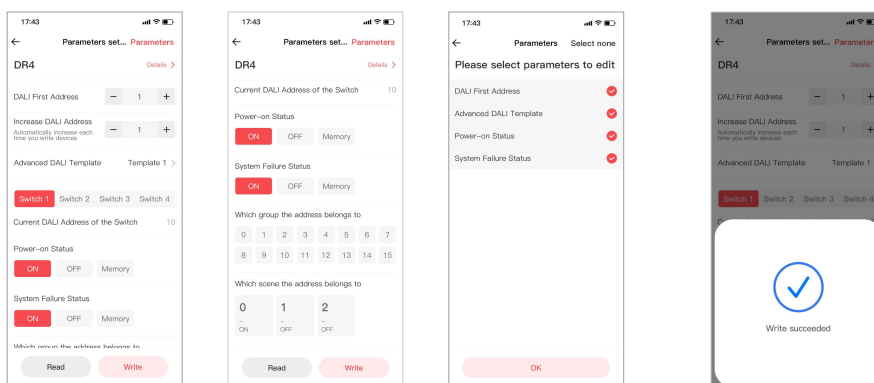
1. Read the LED driver

On the APP home page, click [Read/Write LED driver] , then keep the phone's sensing area close to the NFC sensing area of the driver to read the driver parameters.



2. Edit the parameters

Tap [Parameter Management] to edit and set more advanced parameters such as DALI First Address, DALI Advanced Template, Power-on Status, System Failure Status, etc.



3. Write to the driver

After completing the parameter settings, click [Write] in the upper right corner, and keep the phone's sensing area close to the NFC sensing area of the driver, so the parameters can be written to the driver.

Attentions

- Product installation and commissioning should be done by a qualified professional.
 - LTECH products are and not lightningproof non-waterproof (special models excepted). Please avoid the sun and rain. When installed outdoors, please ensure they are mounted in a water proof enclosure or in an area equipped with lightning protection devices.
 - Good heat dissipation will prolong the working life of products. Please ensure good ventilation.
 - During installation, keep away from large metal objects and avoid stacking multiple units to prevent signal interference that may affect normal operation.
 - Avoid installing in thunderstorm-prone areas, strong magnetic fields, and high-voltage areas.
 - Please check if the working voltage used complies with the parameter requirements of products.
 - The diameter of wire used must be able to load the light fixtures you connect and ensure the firm wiring.
 - Before you power on products, please make sure all the wiring is correct in case of incorrect connection that causes damage to light fixtures.
 - If a fault occurs, please do not attempt to fix products by yourself. If you have any question, please contact your suppliers.
- * This manual is subject to changes without further notice. Product functions depend on the goods. Please feel free to contact our official distributors if you have any question.

Warranty Agreement

- Warranty periods from the date of delivery: 5 years.
- Free repair or replacement services for quality problems are provided within warranty periods.

Warranty exclusions below:

- Beyond warranty periods.
- Any artificial damage caused by high voltage, overload, or improper operations.
- Products with severe physical damage.
- Damage caused by natural disasters and force majeure.
- Warranty labels and barcodes have been damaged.
- No any contract signed by our company.

1. Repair or replacement provided is the only remedy for customers. Our company is not liable for any incidental or consequential damage unless it is within the law.
2. Our company has the right to amend or adjust the terms of this warranty, and release in written form shall prevail.